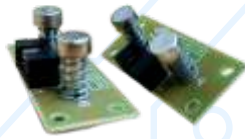
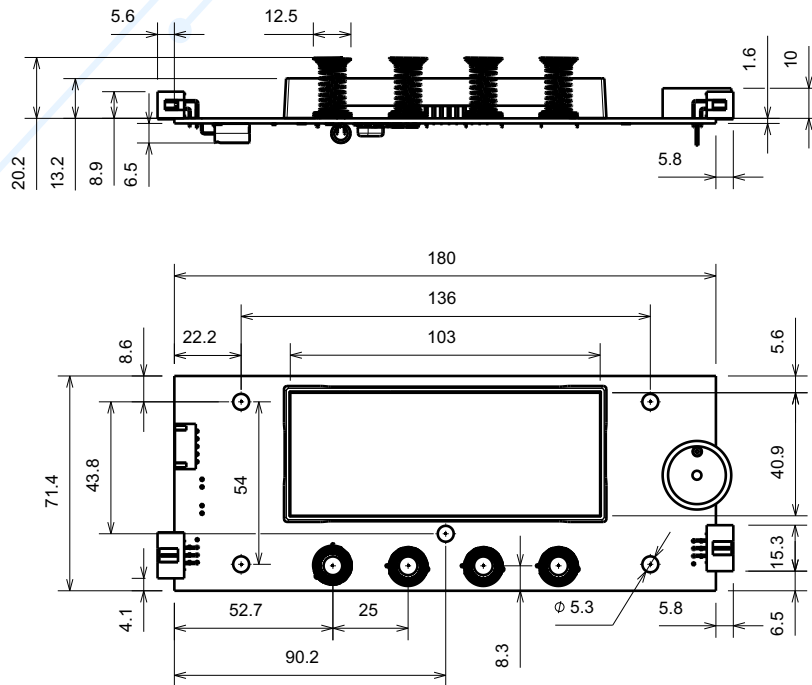


**NEW Product**



● Scale and Dimensions

*Inspire the future ...*



Electrical Oven Panel

### ● Specifications

8-key touch keyboard	Touch	KT
The maximum number of keys that can be supported	8	MSK
Has an LED display	LED	DT
It has high performance precision clock support	HP	CSP
It has an automatic calibration system	I	ATC
The possibility of removing the voice of the marketer by the user	.....	MMS
The possibility of customizing the function of the keys and defining the position related to the customer's order	√	CFK
The possibility of defining a work scenario according to the customer's order	√	CWS
The possibility of inserting the customer's logo on the product	√	ACL
The ability to choose the color of the screen by the customer	√	CD
The possibility of choosing the background color by the customer	√	CBC
Can be installed on the body horizontally	Horizontal	MD
It has 13 cooking programs	10	NCP
User programmable timer	PR	TT
It has a dedicated communication platform upon customer request	S1	CM
Has an internal temperature sensor	√	ITS
The possibility of controlling the rotisserie separately	√	GMC
Cabin temperature display type	N	CTDT
Has a child lock	Child lock	KL