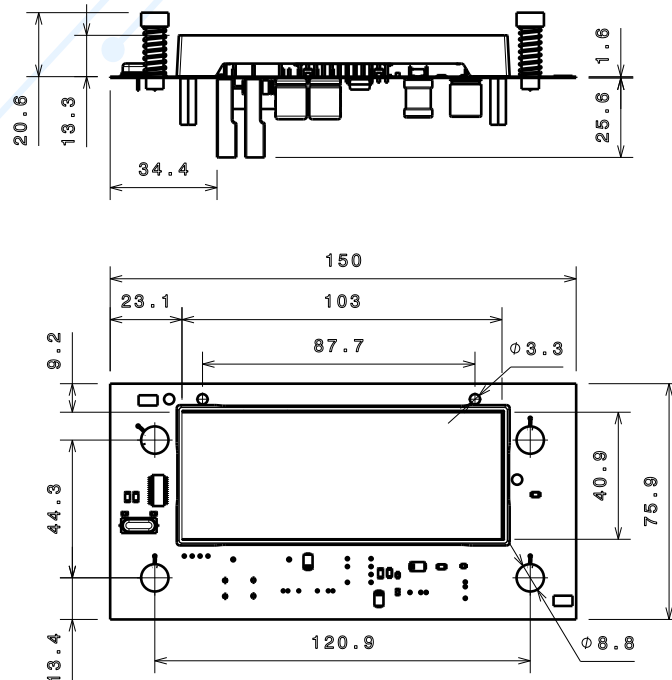


NEW Product



● Scale and Dimensions

Inspire the future ...



Gas Cooker Controller / timer

NEW Product

● Specifications

The minimum working voltage range of city electricity	90 V	IVW
The maximum working voltage range of city electricity	240 V	AVW
Has a touch keyboard	Touch	KT
LED with the ability to choose the color of the LEDs	LED	DT
Support clock with high performance accuracy	HP	CSP
Automatic calibration system support	√	ATC
Has a child lock	√	CL
User programmable timer	PR	TT
The possibility of customizing the function of the keys and defining the position according to the customer's order	√	CFK
The possibility of defining a work scenario according to the customer's order	√	CWS
The possibility of inserting the customer's logo on the product	√	ACL
The ability to choose the color of the screen by the customer	√	CD
Maximum power supply (watts)	3	PSW
The maximum number of keys that can be supported	4	MSK
The possibility of choosing the background color by the customer	√	CBC
Can be installed on the body horizontally	Horizontal	MD