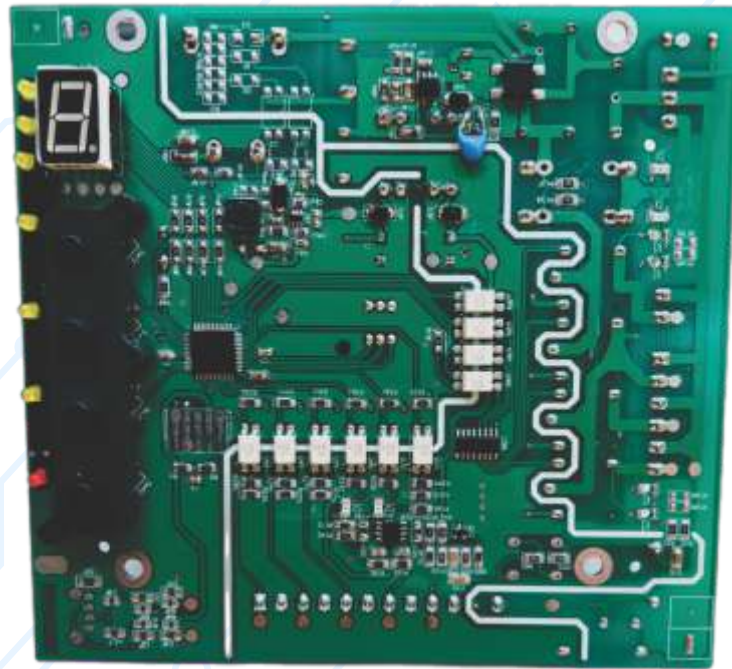
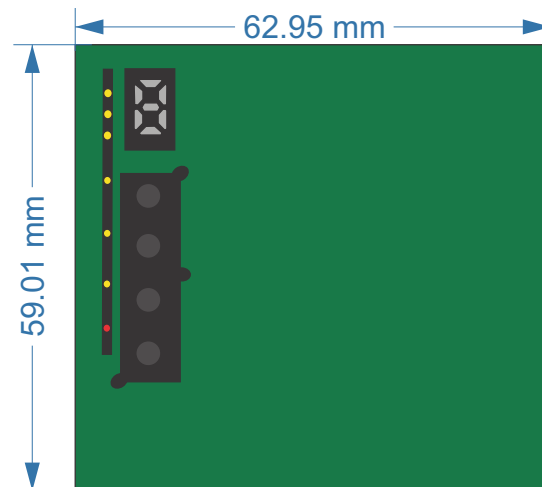
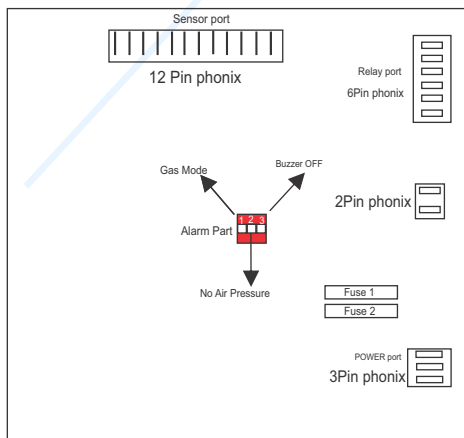


NEW Product



● Scale and Dimensions

Inspire the future ...



Jet Flame Heater Controller

NEW Product
● Specifications

Support for gas/diesel heaters
Branch detection through ion rod technology (ionization Flame Detector)
flame detection through photocell (light-fire)
Has serial communication to control the heater
Error notification through 24-V relay output
The working power of the controller circuit in two-phase input voltage mode (240 volts)
Protection of heater equipment in the event of two-phase input power and power surges
The ability to define the maximum input voltage parameter of the heater
The ability to define the time for the heater to return to normal after power fluctuations
Support for an ambient temperature sensor to the control circuit
The ability to start the heater with a delay compared to other heaters
Efficiency of the high temperature of the boiler, in order to create heating and prevent the consumption of gas and diesel fuel
Returning the heater to the state of work in progress, after turning the heater off and on
Overheat protection of boiler heater
The possibility of presenting a report of the system performance and the errors that occurred in that heater status (Optional)

Jet Flame Heater Controller